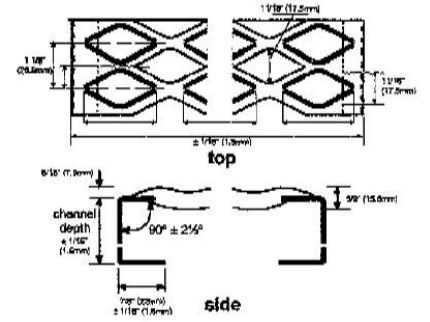




[Go Back to Home Page](#)

SAFETY PANEL GRATING



2-Diamond – 4.75"

Material	Thickness	Chanel Depth		Weight	Chanel Depth		Weight
		(inches)	Imperial		Metric		
Galvanized	14 Gauge	1.5		2.30	38.1		3.43
Galvanized	12 Gauge	1.5		3.20	38.1		4.77
Galvanized	12 Gauge	2.0		3.60	50.8		5.36
Galvanized	12 Gauge	2.5		4.00	63.5		5.96
Aluminum	.080	2.0		0.92	50.8		1.37

3-Diamond – 7"

Material	Thickness	Chanel Depth		Weight	Chanel Depth		Weight
		(inches)	Imperial		Metric		
Galvanized	14 Gauge	1.5		3.00	38.1		4.47
Galvanized	14 Gauge	2.0		3.20	50.8		4.77
Galvanized	14 Gauge	2.5		3.50	63.5		5.21
Galvanized	12 Gauge	1.5		4.10	38.1		6.11
Galvanized	12 Gauge	2.0		4.50	50.8		6.70
Galvanized	12 Gauge	2.5		4.90	63.5		7.30
Galvanized	12 Gauge	3.0		5.20	76.2		7.75
Aluminum	.080	2.0		1.15	50.8		1.71

4-Diamond – 9.5"

Material	Thickness	Chanel Depth		Weight	Chanel Depth		Weight
		(inches)	Imperial		Metric		
Galvanized	14 Gauge	1.5		3.60	38.1		5.36
Galvanized	14 Gauge	2.0		3.80	50.8		5.66
Galvanized	14 Gauge	2.5		4.10	63.5		6.11
Galvanized	12 Gauge	1.5		5.00	38.1		7.45
Galvanized	12 Gauge	2.0		5.40	50.8		8.04
Galvanized	12 Gauge	2.5		5.70	63.5		8.49
Galvanized	12 Gauge	3.0		6.10	76.2		9.09
Aluminum	.080	2.0		1.37	50.8		2.04

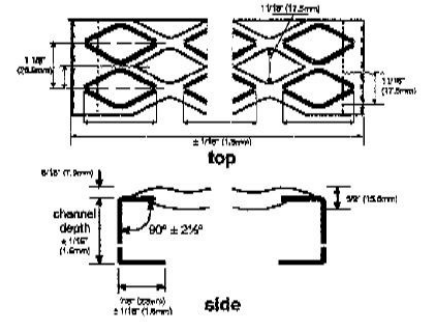
Weights, gauges and dimensions are subject to standard mill tolerances

Safety Panel Grating can be purchased from any steel service center in your area.



[Go Back to Home Page](#)

SAFETY PANEL GRATING



5-Diamond – 11.75”

Material	Thickness	Chanel Depth		Weight	Chanel Depth		Weight
		(inches)	Imperial		Metric		
Galvanized	14 Gauge	1.5		4.20	38.1		3.43
Galvanized	14 Gauge	2.0		4.40	50.8		3.87
Galvanized	14 Gauge	2.5		4.70	63.5		4.17
Galvanized	12 Gauge	1.5		5.90	38.1		4.77
Galvanized	12 Gauge	2.0		6.20	50.8		5.36
Galvanized	12 Gauge	2.5		6.60	63.5		5.96
Galvanized	12 Gauge	3.0		7.00	76.2		10.43
Aluminum	.080	2.0		1.59	50.8		2.37

8-Diamond – 18.75”

Material	Thickness	Chanel Depth		Weight	Chanel Depth		Weight
		(inches)	Imperial		Metric		
Galvanized	14 Gauge	1.5		6.10	38.1		9.09
Galvanized	14 Gauge	2.0		6.30	50.8		9.38
Galvanized	14 Gauge	2.5		6.60	63.5		9.83
Galvanized	12 Gauge	1.5		8.50	38.1		12.66
Galvanized	12 Gauge	2.0		8.90	50.8		13.26
Galvanized	12 Gauge	2.5		9.20	63.5		13.70
Galvanized	12 Gauge	3.0		9.60	76.2		14.30
Aluminum	.100	2.0		2.20	50.8		3.28

10-Diamond – 24”

Material	Thickness	Chanel Depth		Weight	Chanel Depth		Weight
		(inches)	Imperial		Metric		
Galvanized	14 Gauge	2.0		7.40	50.8		11.02
Galvanized	14 Gauge	3.0		7.90	86.2		11.77
Galvanized	12 Gauge	2.0		10.40	50.8		15.49
Galvanized	12 Gauge	3.0		11.10	76.2		16.53

Weights, gauges and dimensions are subject to standard mill tolerances

Safety Panel Grating can be purchased from any steel service center in your area.